

**NEW**  
**Hörmann BiSecur**  
*The modern radio system for garage door operators*



## Up-and-Over Garage Doors

Combining quality with an attractive look





**Choose from more than  
20 door styles – at Hörmann you  
can find the door of your dreams!**

|  |    |
|--|----|
| Hörmann brand quality                        | 4  |
| Good reasons to select Hörmann               | 6  |
| BiSecur radio system                         | 8  |
| Ribbing styles                               | 10 |
| Panel styles                                 | 12 |
| Panel styles                                 | 14 |
| Solid timber styles and timber design styles | 16 |
| Doors for on-site designing                  | 18 |
| Overview of door and side door styles        | 20 |
| Surface finishes and colours                 | 26 |
| Handles and glazings                         | 28 |
| Modernisation solutions                      | 30 |
| Garage door operators                        | 32 |
| Accessories                                  | 34 |
| Safety features                              | 36 |
| Dimensions and fitting data                  | 38 |
| Programme overview                           | 42 |

For more information on up-and-over garage doors and other high-quality Hörmann products, visit [www.hoermann.com](http://www.hoermann.com)

Some of the doors shown are equipped with optional extras and do not always correspond to our standard models.

The surface finishes and colours shown are subject to the limitations of the printing process and cannot be regarded as binding.

All rights reserved. No part may be reproduced without our prior permission. Subject to changes.

Figure on the left: Style 905 with on-site cladding

# Hörmann Brand Quality

Reliable and oriented towards the future



**“A good name has to be earned.”** (August Hörmann)

In line with the philosophy of the company’s founder, the Hörmann brand remains a guarantee for quality. With more than 75 years of experience in the construction of doors and operators and more than 20 million doors and operators sold, the family-owned business has become number 1 in Europe. This is very reassuring when buying a Hörmann up-and-over door.



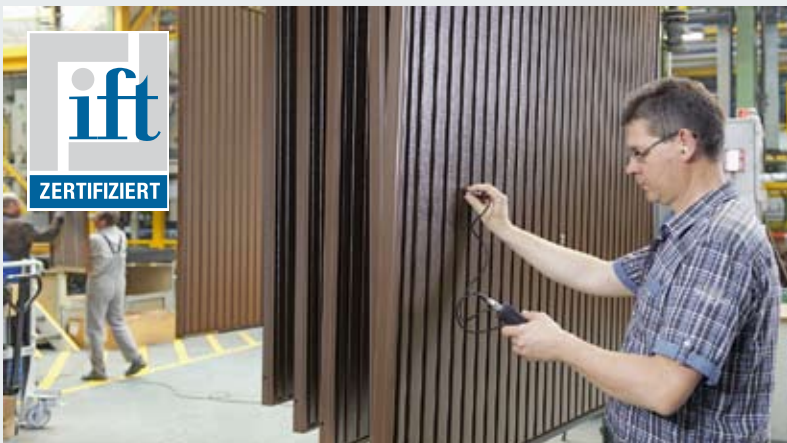
## Made in Germany

All doors and operator components are developed and manufactured by Hörmann. Our highly qualified employees work intensively on new products, continual further developments and improvements to details. The results are patents and one-of-a-kind products you can depend on. Endurance tests under real-life conditions ensure mature series products with Hörmann quality.



## An eye on the future

Hörmann always sets a good example. This is why, from 2013, the company will base 40 % of its energy consumption on green electricity and continuously increase this percentage. At the same time, the introduction of an intelligent certified energy management system will save many tonnes of CO<sub>2</sub> annually. Last, but not least, Hörmann offers products for sustainable construction.



## Certified brand quality

At Hörmann, doors and operators are perfectly matched to each other and approved and certified by independent established institutes for your safety.

They are manufactured in Germany according to the DIN EN 9001 quality management system and meet the requirements of EN 13241-1.



## Long-term performance

Thanks to excellent technical solutions and uncompromising quality assurance, you receive a 10-year warranty on all up-and-over garage doors and 5 years on all Hörmann operators.

\* The complete warranty conditions can be found at: [www.hoermann.com](http://www.hoermann.com)

# Good Reasons to Try Hörmann

The market leader has all the innovations



# 1

## All-round protection through smart details

### Flexible protective caps and protective strips

Flexible protective caps on the lever arms and the flexible plastic rails between the door leaf and the frame are just two examples of the numerous safety options for our up-and-over garage doors. They prevent accidental crushing or trapping. Only Hörmann's up-and-over doors have such a high safety standard.

# 2

## Long service life and optimal security

### Multiple spring safety system

If one of the springs of the lever arms breaks after many years of use, the other intact springs support the door. This reliably protects the door from crashing. The distance between the spring windings is so minimal that even children's fingers are protected from getting caught.



**Only from Hörmann**



**Only from Hörmann**



# 3

**User-friendly opening and closing**

**Securely open**

When the door is opened completely, it is cushioned by the stop and comes to a safe, reliable halt in the track well.

**Conveniently closed**

When closing, the specially-formed lever arm presses the door against the frame tightly and the door pulls itself closed. This leaves no gap between the door and frame.

# 4

**Secured by innovative locking**

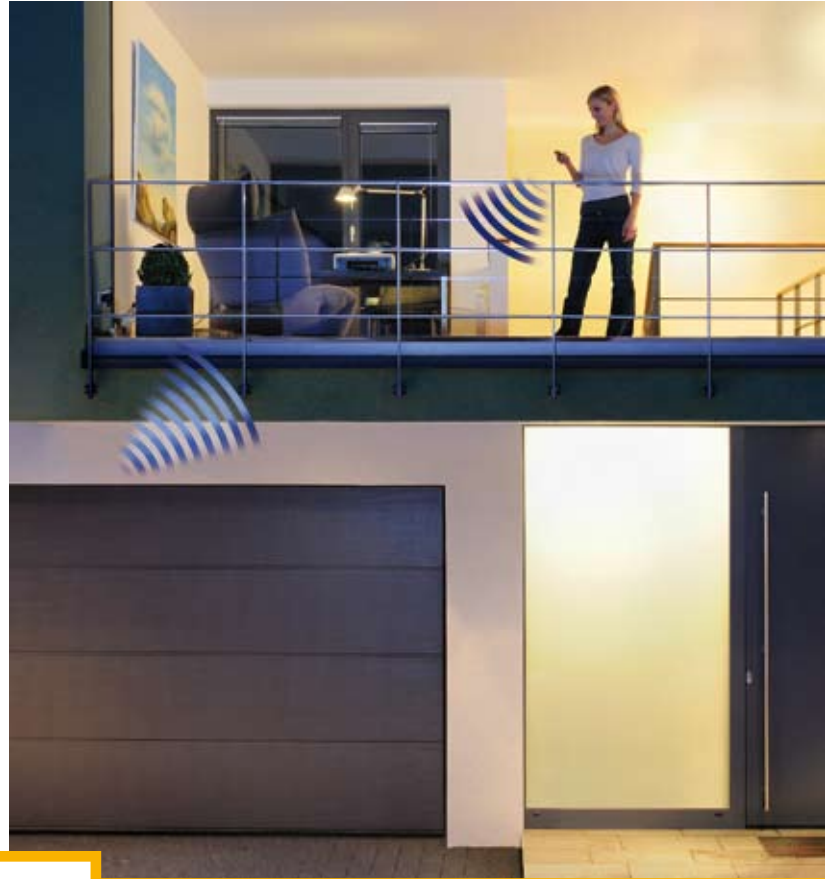
**Improved security**

The unique rotary catch lock in Hörmann's up-and-over doors firmly fixes the corners of the door leaf to the frame, locking it much more securely than a common bolt lock. It is practically impossible to force the door open.

You yourself can additionally equip the door with top locking using an optional retrofit kit.

# Good Reasons to Try Hörmann

Hörmann BiSecur: the modern radio system for garage door and entrance gate operators



## BiSecur bi-directional radio system

# 5

## Convenient inquiry of the door position

### The modern radio system for garage door and entrance gate operators

The bi-directional and particularly securely encoded BiSecur radio system offers a future-oriented technology for the comfortable and secure operation of garage doors, entrance gates, lights and much more.

### Convenient and safe with bi-directional radio technology

You will never have to go outdoors in all types of weather to check whether your garage door is closed. With a single push of a button, the LED colour on the hand transmitter HS 5 BS shows you whether the door is open or closed. If required, another push of a button\* closes the door.

\* An additional photocell is required for operation without visual contact to the door.





PATENT PENDING



6

## Certified security

### With a stable, interference-free range

The newly-developed extremely secure BiSecur encoding method allows you to be sure that no one can copy your radio signal. It was tested and certified by the security experts of the Ruhr-Universität Bochum and is as secure as online banking.

7

## Award-winning design

### Exclusive hand transmitters

The new and exclusive BiSecur hand transmitters not only have black or white high gloss surface finishes in a piano lacquer look, but also an elegant shape that fits easily in the palm of your hand.

The Hörmann BiSecur hand transmitters received an award from an international jury for their exclusive design.

Shown above: HS 5 BS hand transmitter with an optional hand transmitter station

# Ribbed Styles

Timeless and classical



**Large selection of colours  
for your individual door design**



Style 941 with a smooth steel surface finish  
in Traffic white, RAL 9016



Style 990 with a smooth steel surface finish  
in the preferred colour Fir green, RAL 6009



Style 689 with a smooth steel surface finish  
in the preferred colour Anthracite grey, RAL 7016

Shown on left: Style 902 with a smooth steel surface finish  
in Traffic white, RAL 9016

## Brief overview

### Surface



Smooth steel  
Style 902, 968, 941, 957, 990



Style 902 is also available with an integrated wicket door. This allows you to easily enter your garage without having to completely open the door.

### Design overview

from page 20

### Colours and surface finishes

from page 26

### Dimensions and fitting data

from page 38

# Panel Styles

Modern and individualistic



## Decograin surface finishes for a natural timber look



Style 984 with the surface finish Decograin Golden Oak



Style 984 with smooth steel surface finish  
in Traffic white, RAL 9016



Style 914 with smooth steel surface finish  
in Traffic white, RAL 9016

Shown on left: Style 985, panel with smooth steel surface finish  
in the preferred colour Anthracite grey, RAL 7016.

## Brief overview

### Surface finishes



Smooth steel  
Style 984, 985



Decograin Golden Oak  
Style 984, 985



Decograin Rosewood  
Style 984, 985

## Collective garages

Up-and-over doors are also suitable for the secure locking of parking spaces in collective garages.

The different ventilation openings ensure optimal ventilation.

For more information, see page 20.

### Design overview

from page 21

### Colours and surface finishes

from page 26

### Dimensions and fitting data

from page 38

# Panel Styles

Expressive and shapely



Style 977 with smooth steel surface finish in Traffic white, RAL 9016



Style 971 with smooth steel surface finish in Traffic white, RAL 9016



Style 975 with smooth steel surface finish in Traffic white, RAL 9016

## Entrance door and side door with a matching look



### Brief overview

#### Surface finishes



Smooth steel  
Style 420



Decograin Golden Oak  
Style 971, 973, 975, 977



Decograin Rosewood  
Style 971, 973, 975, 977



For almost every door style there is a matching side door. The entrance door and side door offer a harmonious overall look, especially if they are aligned.



Style 973 with the surface finish Decograin Golden Oak

#### Design overview

from page 22

#### Colours and surface finishes

from page 26

#### Dimensions and fitting data

from page 38

# Solid Timber Styles and Timber Design Styles

Natural and diverse



Style 934, Nordic Pine in Stone grey, RAL 7030 (painted on-site)



Style 931, Nordic Fir in Light grey



Style 933, Nordic Pine



**For a complete overview  
of all timber styles see page 24-25**



## Brief overview

### Solid timber surface finishes



Nordic Pine  
Style 933, 925, 934, 931, 937, 927,  
936



Hemlock  
Style 933, 925, 934, 931, 937, 927,  
936



Nordic Pine  
Smooth-planed  
Style 936



Timber design style 62, in Pure white

## Exclusive timber design doors

This beautiful design line matching the Hörmann entrance doors is suited for the highest demands. Painted in elegant white and paired with exclusive metal and glass elements, our up-and-over doors become an attractive eye-catcher.

### Design overview

from page 24

### Colours and surface finishes

from page 27

### Dimensions and fitting data

from page 38

# Style 905

For on-site individual designs



Style 905 with on-site infill



Style 905 with on-site infill



Style 905 with on-site infill

**Also available with  
an integrated wicket door**



### Style 905 for on-site infill

With style 905, you can create a garage front to fit your own ideas and personal architectural style. A steel frame construction for on-site infill is a solid technical basis to build on. You can pick an infill to fit your individual style. This way you can incorporate your garage door harmoniously into the overall style of your home's facade.

This door construction offers two design options:



With the infill overlapping the frame, the frame and bottom section are fully covered.

With the infill inside the frame the bottom section remains uncovered and acts as a splash guard.



Style 905 with on-site infill

#### Design overview

from page 25

#### Dimensions and fitting data

from page 38

# Ribbing

## Overview of door and side door styles

### Style 902

Vertically ribbed steel

### Style 968

Horizontally ribbed steel

### Style 941

Vertically ribbed steel  
with horizontal profile

### Style 957

Horizontally ribbed steel  
with centre and side profiles

### Style 990

Chevron design ribbed steel

### Style 913

Vertically ribbed steel  
with micro-perforated centre sheet

### Style 914

Ribbed steel with ventilation slots  
(50 x 50 mm)

### Style 988

Ribbed steel with ventilation slots  
(90 x 90 mm)

### Colours

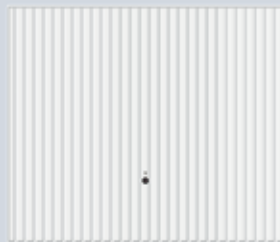
Traffic white  
7 preferred colours  
RAL to choose

### Max. dimensions

Width 5000 mm  
Height 2750 mm

The illustrations show a door for the opening  
2500 x 2125 mm  
and the matching side door for the opening  
1000 x 2125 mm.

All of the illustrated side doors are  
also available in a double-leaf version.



Style 902, Traffic white, RAL 9016



Style 957, Traffic white, RAL 9016



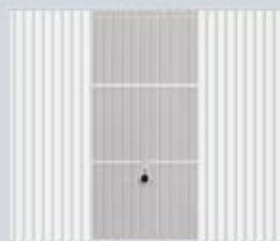
Style 968, Traffic white, RAL 9016



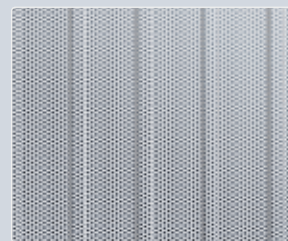
Style 990, Traffic white, RAL 9016



Style 941, Traffic white, RAL 9016



Style 913, Traffic white, RAL 9016



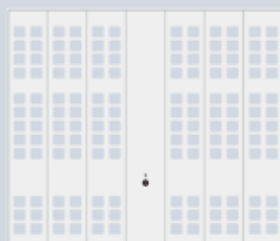
Ventilation cross section: approx. 20 % of the door surface



Style 914, Traffic white, RAL 9016



Ventilation cross section: approx. 30 % of the door surface



Style 988, Traffic white, RAL 9016



Ventilation cross section: approx. 25 % of the door surface

# Panels

## Overview of door and side door styles

### Style 984

Vertical steel panel

### Style 985

Horizontal steel panel

### Colours / surface finishes

Traffic white

7 preferred colours

RAL to choose

Decograin Golden Oak

Decograin Rosewood

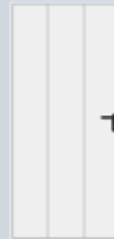
### Max. dimensions

Width 5000 mm

Height 2750 mm



Style 984, Traffic white, RAL 9016



Style 985, Traffic white, RAL 9016



Style 984, Decograin Golden Oak



Style 985, Decograin Golden Oak



Style 984, Decograin Rosewood



Style 985, Decograin Rosewood



The illustrations show a door for the opening 2500 × 2125 mm and the matching side door for the opening 1000 × 2125 mm.

All of the illustrated side doors are also available in a double-leaf version.

# Panels

## Overview of door and side door styles

### Style 971

Steel panel

### Style 973

Steel panel

### Colours / surface finishes

Traffic white

7 preferred colours

RAL to choose

Decograin Golden Oak

Decograin Rosewood

### Max. dimensions

Width 5000 mm

Height 2750 mm



Style 971, Traffic white, RAL 9016



Style 973, Traffic white, RAL 9016



Style 971, Decograin Golden Oak



Style 973, Decograin Golden Oak



Style 971, Decograin Rosewood



Style 973, Decograin Rosewood



The illustrations show a door for the opening 2500 x 2125 mm and the matching side door for the opening 1000 x 2125 mm.

All of the illustrated side doors are also available in a double-leaf version.

**Style 975**

Steel panel

**Style 977**

Steel panel

**Colours / surface finishes**

Traffic white

7 preferred colours

RAL to choose

Decograin Golden Oak

Decograin Rosewood

**Max. dimensions**

Width 5000 mm

Height 2750 mm

**Style 979**

Steel panel

**Colours**

Traffic white

7 preferred colours

RAL to choose

**Max. dimensions**

Width 2625 mm

Height 2750 mm



Style 975, Traffic white, RAL 9016



Style 977, Traffic white, RAL 9016



Style 975, Decograin Golden Oak



Style 977, Decograin Golden Oak



Style 975, Decograin Rosewood



Style 977, Decograin Rosewood



Style 979, Traffic white, RAL 9016

The illustration show a door for the opening  
2500 × 2125 mm  
and the matching side door for the opening  
1000 × 2125 mm.

All of the illustrated side doors are  
also available in a double-leaf version.

# Solid Timber Styles and Timber Design Styles

## Overview of door and side door styles

### Style 927

Rhombus-style ribbed timber

### Style 933

Horizontally ribbed timber

### Style 937

Ribbed timber  
with horizontal centre profile

### Solid wood / colours

Nordic Pine

Hemlock

6 colours

### Max. dimensions

Width 3000 mm

Height 2750 mm

### Style 934

Vertically ribbed timber

### Style 925

Diagonally ribbed timber

### Solid wood / colours

Nordic Pine

Hemlock

6 colours

### Max. dimensions

Width 5000 mm

Height 2750 mm

### Style 931

Chevron design ribbed timber

### Solid wood / colours

Nordic Pine

Hemlock

6 colours

### Max. dimensions

Width 2750 mm

Height 2750 mm

The illustrations show a door for the opening  
2500 × 2125 mm  
and the matching side door for the opening  
1000 × 2125 mm.

All of the illustrated side doors are  
also available in a double-leaf version.



Style 927, Nordic Pine



Style 933, Nordic Pine



Style 927, Hemlock



Style 933, Hemlock



Style 937, Nordic Pine



Style 934, Nordic Pine



Style 937, Hemlock



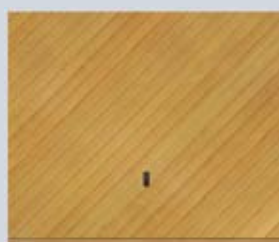
Style 934, Hemlock



Style 925, Nordic Pine



Style 931, Nordic Pine



Style 925, Hemlock



Style 931, Hemlock



**Style 936 basic**

Vertically ribbed timber

**Max. dimensions**

Width 3000 mm  
 Height 2750 mm  
 (no special sizes)

**Solid timber**

Nordic Pine smooth-planed



Style 936 basic, Nordic Pine



Style 905, for on-site infill

**Style 905**

for on-site infill

**Max. dimensions**

Width 5000 mm  
 Height 2750 mm

**Timber design style 41****Glazing**

Single pane safety glass,  
 Parsol grey, sandblasted

Timber design style 41,  
Pure white**Timber design style 45****Glazing**

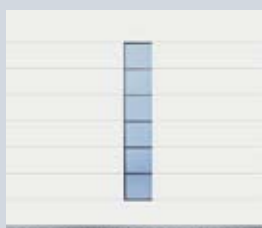
Single-pane safety glass,  
 Parsol grey, sandblasted,  
 with clear, horizontal stripes

Timber design style 45,  
Pure white**Timber design style 62****Glazing**

Single-pane safety glass,  
 Mastercarré white

Timber design style 62,  
Pure white**Timber design style 689****Glazing**

Single-pane safety glass,  
 Parsol grey, sandblasted,  
 with clear, horizontal stripes

Timber design style 689,  
Pure white**Solid wood / colours**

Smooth timber infill ,  
 Pure white

**Max. dimensions**

Width 3000 mm  
 Height 2250 mm

**Note:**

Timber design styles and  
 entrance doors have  
 a slightly different colour  
 and gloss level due to the  
 material used.

Entrance door style 45 TP  
Traffic white, RAL 9016Entrance door style 62 TP  
Traffic white, RAL 9016Entrance door style 689 TP  
Traffic white, RAL 9016

The illustrations show a door for the opening  
 2500 × 2125 mm  
 and the matching side door for the opening  
 1000 × 2125 mm

# Surface Finishes and Colours

## Steel doors



### Steel doors in 7 preferred colours

The galvanized door leaves are optimally protected against adverse effects of the weather and corrosion right up to the cut edges.

#### In Traffic white as standard

Our steel styles are available in inexpensive Traffic white as standard, in 7 equally-priced preferred colours, as well as about 200 colours based on RAL. With the exception of pearl-effect, fluorescent and metallic colours.

Generally, the interior colour of the doors matches the exterior.

|                 |          |
|-----------------|----------|
| Traffic white   | RAL 9016 |
| White aluminium | RAL 9006 |
| Terra brown     | RAL 8028 |
| Window grey     | RAL 7040 |
| Light grey      | RAL 7035 |
| Anthracite grey | RAL 7016 |
| Fir green       | RAL 6009 |
| Light ivory     | RAL 1015 |

### Perfectly combined

#### Garage door and entrance door with a matching look

Hörmann up-and-over garage doors are available in a very elegant textured paint in the colour CH 703 (Anthracite) to match the Hörmann entrance door styles.



Textured paint CH 703, Anthracite



### Steel doors with Decograin surface finish

A UV-resistant synthetic foil-coating on the outside of the leaf combines the advantages of a steel door with the authentic look of natural wood. Thanks to special surface protection, this door stays beautiful for the long term.



Decograin Golden Oak,  
Medium brown, Golden yellow  
oak design



Decograin Rosewood,  
Mahogany-coloured timber design

# Surface Finishes and Colours

## Timber doors



### Timber doors in Softline design

All styles\* are supplied as standard with an exclusive timber cladding overlapping the door leaf and frame. On request, you can also receive the frame without timber cladding.

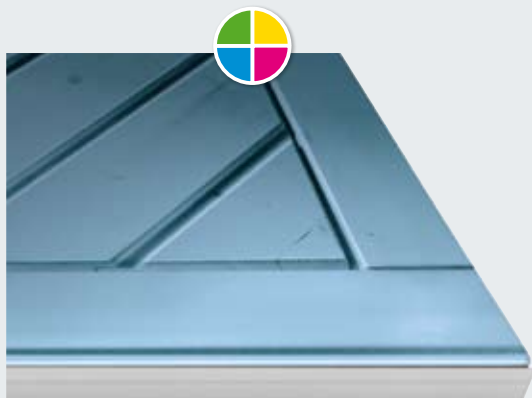
The timber boards in the Softline design (120 x 14 mm) are softly rounded. This gives the timber styles\* their attractive look.



Nordic Pine



Hemlock



### Timber doors in 6 colour hues

The surfaces of the solid timber door leaves\* are treated with 3 coats of silk matt paint, making them light-fast and weather-resistant.

The door frame is polyester primer powder-coated: White for white and coloured doors and Terra brown for doors with wood preservative.

Coloured timber doors are available in widths of up to 3000 mm and heights of up to 2500 mm.



Pure white



Pine yellow



Royal blue



Pigeon blue



Fir green



Light grey



### Timber door style 936 basic, our most competitively priced variant

The door cladding is made of Nordic pine round profile boards that have been smooth-planed. The back has been primer-coated and left partially rough-hewn. The profiled timber boards are fitted in a steel bottom section with bottom sheet.

\* Not with style 936 basic

The colours shown are subject to the limitations of the printing process and cannot be regarded as binding.

Contact your Hörmann specialist dealer for advice regarding coloured doors.

All doors with timber infill are supplied wrapped in plastic film for protection during transport and at the construction site.

# Door Handles

## Beautiful handles accent the door

This door handle created by designers and safety experts has a truly unique shape. Its ergonomic design gives you a safe and firm grip.

Side doors come with a round handle set in all of the illustrated materials. As standard with lever handles on both sides or with a lever/knob handle set on request.

The flush-fitting cylinder lock can be integrated into the master key system.



Polished stainless steel



Standard side door handle:  
Round handle set, black



Standard door handle:  
Black plastic



White cast aluminium  
(similar to RAL 9016)



Brass finish cast aluminium



Brown cast aluminium



New silver cast aluminium



Brushed stainless steel

# Glazings

## Clear views with glazing

Additional glazing is more than just a design element. The resulting daylight creates a bright and friendly setting. Ideally suited for all those who also use the garage as a workshop.



## Steel doors

Available for the styles: 902, 941, 957, 971 and 973 (except Decograin)

### Material

Weather-resistant plastic

### Colour

Matching the colour of the door leaf

### Glazing

3 mm synthetic panes, which can be either clear glass or with crystal structure



View 4: 283 x 203 mm



View 21: 375 x 375 mm



View 5: 283 x 203 mm



View 23: 277 x 199 mm

## Timber doors

View 21 available for the styles: 925, 927 and 931, views 23 and 24 available for the styles: 933, 934 and 937

### Material

Timber

### Glazing

3 mm synthetic panes, which can be either clear glass or with crystal structure.



View 6: 283 x 203 mm



View 24: 199 x 277 mm

## Modernise and Beautify

Hörmann offers optimal solutions for every fitting and renovation situation



At some point it is simply time to modernise your garage door.

The best partner for this: Hörmann and its inexpensive standard sizes, especially for modernisation purposes. Hörmann can provide you with an attractive and suitable solution for any fitting situation.

**Benefit from the inexpensive standard sizes.**

**Of course, we can also easily provide you with any required special solutions.**



### Old door out – New door in

The new door is quickly and neatly fitted on a single day and the old door is professionally disposed.



### Also purchase a matching operator

Ensures comfortable opening and closing and offers more security against forced opening of the door.



### Compensation panels and modernisation panels

Should your garage opening be higher and wider than the inexpensive standard sized garage door, simply adjust the sides and the lintel with panels that match the door. If the brickwork is damaged while removing the old door, modernisation panels **1** ensure a clean result without the need for further plastering.



### Rubber bottom profiles

In garages without a threshold, a flexible, weather-resistant rubber bottom profile helps keep out passing debris.

### Modernise pre-fabricated garages with inexpensive standard sizes

There will come a time when you just can't face painting the old garage door any more, not to mention the daily inconvenience of having to open a hinged-leaf door. The optimal solution for this is a new Hörmann up-and-over garage door in an inexpensive standard size. Polyester primer-coating makes the door permanently weather-resistant. Of course, the new door is also much easier to open.

## Two Operator Variants

Day and night security  
through automatic door locking



### SupraMatic

The ultra-quick operator  
with an array of additional functions



SupraMatic  
As standard with the  
hand transmitter HS 5 BS  
in black



### ProMatic

The good-value starter model as an  
introduction to Hörmann's premium quality



ProMatic Akku  
The optional **solar module**  
handles the battery recharge.



ProMatic  
As standard with the  
hand transmitter HS 2 BS  
in black





## SupraMatic

- 5-button hand transmitter HS 5 BS (black) incl. door position inquiry
- Low power consumption, annual electricity costs of only approx. 3 €\*
- Very easy programming through double 7-segment display
- Halogen lighting can be switched on/off separately
- Additional opening position for a well-ventilated garage
- Operator cover made of brushed aluminium

### SupraMatic E

Pull and push force: 650 N  
 Peak force: 800 N  
 Opening speed: max. 22 cm/s.  
 Door width: up to 5500 mm (max. 13,75 m<sup>2</sup> door surface)

### SupraMatic P

Incl. photocell  
 Pull and push force: 750 N  
 Peak force: 1000 N  
 Opening speed: max. 22 cm/s.  
 Door width: up to 6000 mm (max. 15 m<sup>2</sup> door surface)  
 For heavy timber doors and doors with wicket doors

## ProMatic

- 2-button hand transmitter HSE 2 BS (black)
- Additional opening position for a well-ventilated garage

### ProMatic

Pull and push force: 600 N  
 Peak force: 750 N  
 Opening speed: max. 14 cm/s  
 Door width up to 5000 mm (max. 11 m<sup>2</sup> door surface)

### ProMatic Akku

For garages without power connection  
 Pull and push force: 350 N  
 Peak force: 400 N  
 Opening speed: max. 13 cm/s  
 Door width up to 3000 mm (max. 8 m<sup>2</sup> door surface)

\* For 5 door cycles per day and an electricity tariff of 0.25 Euros/kWh



## Automatic door locking

The door automatically locks on closing, making it impossible to lever it open. This unique automatic latching system is a mechanical device and therefore remains fully functional even in the event of a power failure.



Take a look at the video at: [www.hoermann.com](http://www.hoermann.com)



## ProMatic Akku

For pre-fabricated garages and garage blocks without power connection, the ProMatic Akku is the simplest solution.

The portable battery supplies the operator with power and can be charged inside the house via a normal power socket. With the optional solar module you can save even more electricity as the battery is recharged by solar power.

# Mobile and Stationary Accessories



reddot design award  
honourable mention 2011



**Hand transmitter  
HS 5 BS // NEW**  
4 button functions  
plus inquiry button,  
available in black and white,  
full range of functions only  
for SupraMatic and  
ProMatic operators



**Hand transmitter  
HSE 2 BS // NEW**  
2 button functions,  
incl. key ring,  
available in black and white



**Hand transmitter  
HS 4 BS // NEW**  
4 button functions,  
only available in black



**Hand transmitter  
HS 1 BS // NEW**  
1 button function,  
only available in black



reddot design award  
winner 2007



**Hand transmitter  
HSD 2-A BS**  
Aluminium style,  
2 button functions,  
can also be used as a key ring



**Hand transmitter  
HSD 2-C BS**  
High-gloss chrome,  
2 button functions,  
can also be used as a key chain



**Hand transmitter  
HSP 4 BS**  
4 button functions,  
with button lock-out, incl. key ring



**Hand transmitter  
HSZ 1 BS**  
1 button function,  
for insertion in vehicle cigarette lighter



**HSZ 2 BS**  
2 button functions,  
for insertion in vehicle cigarette lighter



With Hörmann, everything fits together. You can use the same hand transmitter to open not only the garage door but also, e.g. the entrance gate that is equipped with a Hörmann operator.



**Radio code switch  
FCT 3 BS // NEW**  
For 3 functions,  
with illuminated buttons



**Radio code switch  
FCT 10 BS // NEW**  
For 10 functions,  
with illuminated buttons and  
protective cover



**Radio finger scan  
FFL 12 BS // NEW**  
For 2 functions and  
up to 12 finger prints



**Radio internal push button  
FIT 2**  
For 2 operators  
or operator functions



reddot design award  
honourable mention 2011

Hand transmitter HS 5 BS with convenient hand transmitter station  
**// NEW**



reddot design award  
winner 2007

Hand transmitter HSD 2-C BS, for your key chain



Hand transmitter HSZ 2 BS,  
always handy in the vehicle cigarette lighter

# Play It Safe

Operating comfort with the highest security



## **1** Extremely stable door construction

The wide, galvanized block frame and horizontal door leaf reinforcements give the Hörmann up-and-over garage door high stability.

## **2** Rail guidance

The precise rail guidance prevents the door leaf from derailing and also ensures smooth and easy door travel thanks to wear-resistant plastic rollers.

## **3** Well protected

The standard bottom threshold rail offers protection from rain and storms. If required, you can receive an optional rubber bottom profile for garages with continuous floors.



4

#### Unique track well

When the door is opened completely, it is cushioned by the stop and comes to a safe, reliable halt in the track well.



5

#### Protection against trapping

Flexible plastic rails between the door leaf and frame (no steel on steel), as well as additional protective caps over the lever arms, ensure effective protection against trapping.

#### Comfortable closing

Due to the specially shaped lever arm the door pulls itself shut when closing.

Hörmann patent



6

#### Multiple spring safety system

If one of the springs breaks, the other intact springs support the door.

The distance between the spring windings is so minimal that even children's fingers are protected from getting caught.



7

#### Break-in-resistant due to a unique rotary catch lock

With this type of lock, the door leaf corners are fixed firmly to the frame, making forced opening practically impossible.

You can additionally equip the door with top locking using an easy-to-fit retrofit kit.

Hörmann patent



## Assured quality!

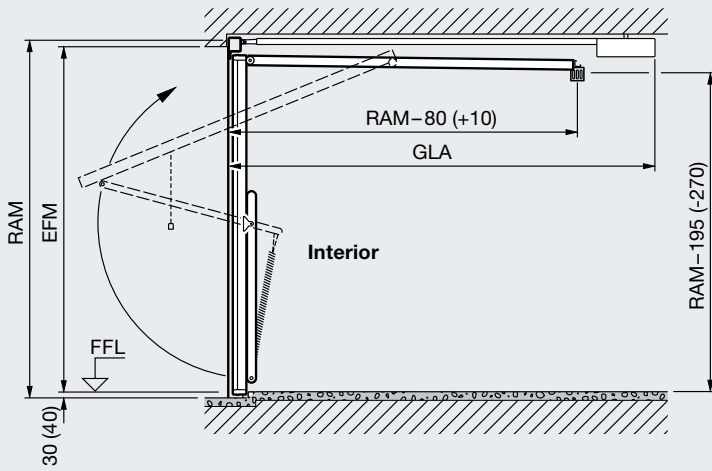
### Safety features according to the European standard 13241-1

Hörmann up-and-over garage doors are approved and certified both individually and in every combination with Hörmann operators according to the high safety requirements of European standard 13241-1.

You can be certain that you have purchased an exceptionally good up-and-over garage door when you choose a Hörmann product.

**It pays to compare.**

# Dimensions and Fitting Data

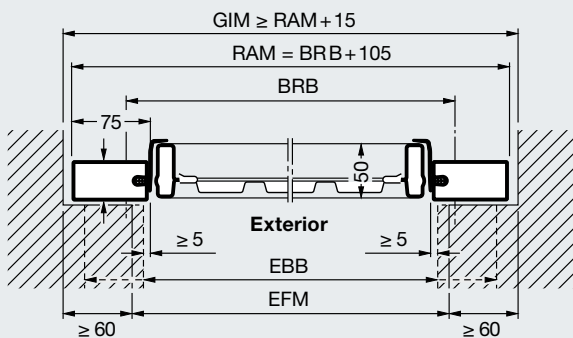


Total length with operator (GLA)  
 3200 mm up to door height 2500 mm ProMatic/SupraMatic;  
 3450 mm up to door height 2750 mm ProMatic/SupraMatic

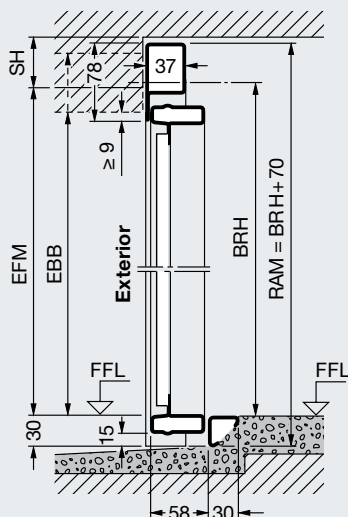
Dimensions in brackets = door type DF 98

## Door type N80 for single garages

Horizontal view Fitting behind the opening

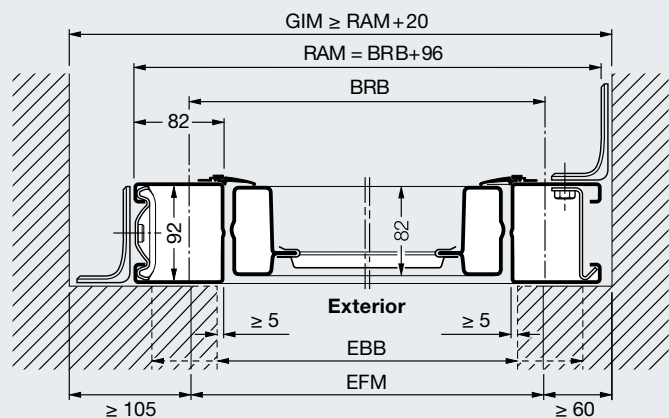


Vertical view Door with threshold

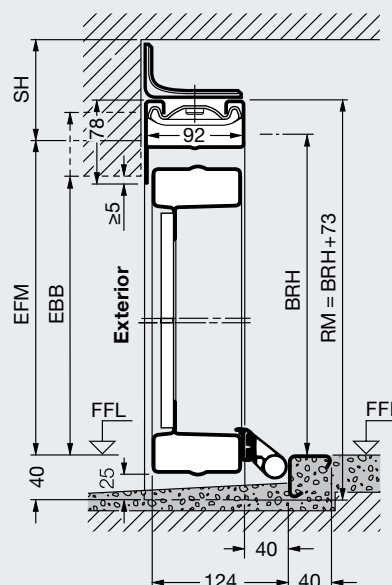


## Door type DF 98 for double garages

Horizontal view Fitting behind the opening



Vertical view Door with threshold



**Maximum size range** (depending on the door style)

|                   |      |  |      |      |      |      |      |      |      |      |      |      |      |
|-------------------|------|--|------|------|------|------|------|------|------|------|------|------|------|
| Door height (BRH) | 2750 |  |      |      |      |      |      |      |      |      |      |      |      |
|                   | 2625 |  |      |      |      |      |      |      |      |      |      |      |      |
|                   | 2500 |  |      |      |      |      |      |      |      |      |      |      |      |
|                   | 2375 |  |      |      |      |      |      |      |      |      |      |      |      |
|                   | 2250 |  |      |      |      |      |      |      |      |      |      |      |      |
|                   | 2125 |  |      |      |      |      |      |      |      |      |      |      |      |
|                   | 2000 |  |      |      |      |      |      |      |      |      |      |      |      |
|                   | 1875 |  |      |      |      |      |      |      |      |      |      |      |      |
|                   |      |  | 2000 | 2250 | 2500 | 2625 | 3000 | 3250 | 3500 | 3750 | 4000 | 4500 | 4750 |
| Door width (BRB)  |      |  |      |      |      |      |      |      |      |      |      |      |      |

**N80****DF 98****Explanation of dimensions**

|       |                                  |
|-------|----------------------------------|
|       | <b>Ordering size</b>             |
| BRB   | Nominal size width               |
| BRH   | Nominal size height              |
| RAM B | Overall frame dimension width    |
| RAM H | Overall frame dimension height   |
| LDB   | Clear passage width              |
| LDH   | Clear passage height             |
| GIM   | Inside garage dimension          |
| EFM   | Recommended structural dimension |
| FM    | Structural dimension             |
| EBB   | Fitting area                     |
| GLA   | Overall length with operator     |
| SH    | Headroom                         |
|       | <b>N80</b>                       |
|       | with steel infill $\geq 50$ mm   |
|       | Style 905, 941 $\geq 65$ mm      |
|       | with timber infill $\geq 65$ mm  |

**DF 98**

without operator  $\geq 90$  mm  
with operator  $\geq 100$  mm

**Doors with modernisation panels**

The structural width may be reduced by max. 10 mm. The structural height may be reduced by max. 10 mm if fitting with a threshold. Add 30 mm to the structural dimension for doors with uninterrupted flat floor lines (frame from FFL).

**Please note:**

\* Clear passage dimension for doors with threshold

**N80 standard sizes for single garages** (depending on the door style)

| Ordering size |      | Overall frame dimension |       | Clear passage dimension* |      |
|---------------|------|-------------------------|-------|--------------------------|------|
| BRB           | BRH  | RAM B                   | RAM H | LDB                      | LDH  |
| 2250          | 1920 | 2355                    | 1990  | 2110                     | 1800 |
|               | 2000 | 2355                    | 2070  | 2110                     | 1880 |
|               | 2075 | 2355                    | 2145  | 2110                     | 1955 |
|               | 2125 | 2355                    | 2195  | 2110                     | 2005 |
| 2375          | 1920 | 2480                    | 1990  | 2235                     | 1800 |
|               | 2000 | 2480                    | 2070  | 2235                     | 1880 |
|               | 2075 | 2480                    | 2145  | 2235                     | 1955 |
|               | 2125 | 2480                    | 2195  | 2235                     | 2005 |
|               | 2250 | 2480                    | 2320  | 2235                     | 2130 |
| 2500          | 2375 | 2480                    | 2445  | 2235                     | 2255 |
|               | 1920 | 2605                    | 1990  | 2360                     | 1800 |
|               | 2000 | 2605                    | 2070  | 2360                     | 1880 |
|               | 2075 | 2605                    | 2145  | 2360                     | 1955 |
|               | 2125 | 2605                    | 2195  | 2360                     | 2005 |
|               | 2250 | 2605                    | 2320  | 2360                     | 2130 |
|               | 2375 | 2605                    | 2445  | 2360                     | 2255 |
| 2625          | 2500 | 2605                    | 2570  | 2360                     | 2380 |
|               | 2750 | 2605                    | 2820  | 2360                     | 2630 |
| 2625          | 2125 | 2730                    | 2195  | 2485                     | 2005 |
|               | 2750 | 2000                    | 2855  | 2070                     | 2610 |
| 2125          |      | 2855                    | 2195  | 2610                     | 2005 |
| 3000          | 2000 | 3105                    | 2070  | 2860                     | 1880 |
|               | 2125 | 3105                    | 2195  | 2860                     | 2005 |

**DF 98 standard sizes for double garages** (depending on the door style)

| Ordering size |      | Overall frame dimension |       | Clear passage dimension* |      |
|---------------|------|-------------------------|-------|--------------------------|------|
| BRB           | BRH  | RAM B                   | RAM H | LDB                      | LDH  |
| 4000          | 2000 | 4096                    | 2073  | 3840                     | 1820 |
|               | 2125 | 4096                    | 2198  | 3840                     | 1945 |
| 4500          | 2000 | 4596                    | 2073  | 4340                     | 1820 |
|               | 2125 | 4596                    | 2198  | 4340                     | 1945 |
|               | 2250 | 4596                    | 2323  | 4340                     | 2070 |
| 5000          | 2000 | 5096                    | 2073  | 4840                     | 1820 |
|               | 2125 | 5096                    | 2198  | 4840                     | 1945 |

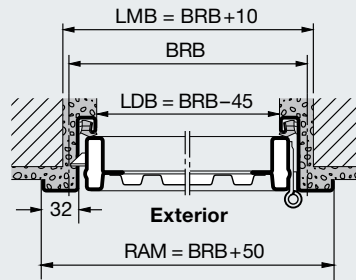
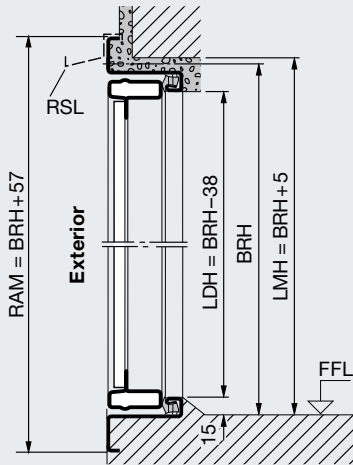
# Dimensions and Fitting Data

## Side doors

### Side door, single-leaf

Vertical view Door with threshold

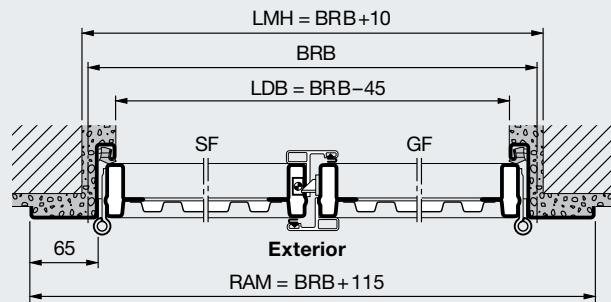
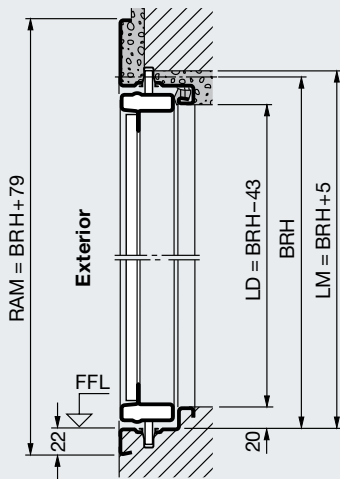
Horizontal view



### Side door, double-leaf

Vertical view Door with threshold

Horizontal view





## Side door, single-leaf

### Standard sizes

| Ordering size |      | Structural opening |      | Clear passage dimension with threshold |      | Lever height |
|---------------|------|--------------------|------|--|------|--------------|
| BRB           | BRH  | LMB                | LMH  | LDB                                    | LDH  | From FFL     |
| 875           | 1875 | 885                | 1880 | 830                                    | 1837 | 987.5        |
|               | 2000 | 885                | 2005 | 830                                    | 1962 | 1050         |
|               | 2125 | 885                | 2130 | 830                                    | 2087 | 1112.5       |
| 1000          | 2000 | 1010               | 2005 | 955                                    | 1962 | 1050         |
|               | 2125 | 1010               | 2130 | 955                                    | 2087 | 1112.5       |

Special sizes and versions on request.  
Max. size range (BR): 1250 x 2375 mm.

Standard sizes with steel infill and on-site infill doors are supplied for external fitting as standard. Internal fitting is possible by reversing the hinges. Styles with timber infill overlapping the frame are only possible with external fitting.

Block frame for fitting in the opening: dimensions and versions on request.

### Explanation of dimensions

#### Ordering size

|       |                                |
|-------|--------------------------------|
| BRB   | Nominal size width             |
| BRH   | Nominal size height            |
| LMB   | Structural opening width       |
| LMH   | Structural opening height      |
| RAM B | Overall frame dimension width  |
| RAM H | Overall frame dimension height |

|     |                      |
|-----|----------------------|
| LDB | Clear passage width  |
| LDH | Clear passage height |

The clear passage width is reduced if the opening angle is less than 180°.

|     |             |
|-----|-------------|
| RSL | Rain canopy |
|-----|-------------|

|    |              |
|----|--------------|
| SF | Fixed leaf   |
| GF | Traffic leaf |

\* LDH without threshold + 15 mm

## Side door, double-leaf

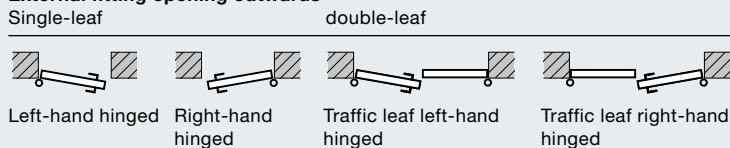
### Size range

|              |                 |
|--------------|-----------------|
| Width (BRB)  | 1300 to 2500 mm |
| Height (BRH) | 1750 to 2250 mm |

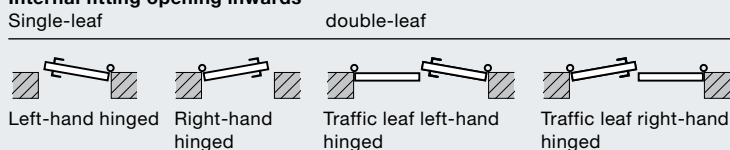
Block frame for fitting in the opening: dimensions and versions on request. As standard delivered for external fitting, traffic leaf on right hand side, state on order if internal fitting or traffic leaf on left hand side is required!

### Fitting variants

#### External fitting opening outwards



#### Internal fitting opening inwards



With doors fitted on the inside, the threshold angle or transport angle must always be removed and a water run-off to the outside must be provided. Doors on the weather side are preferably fitted externally.



# Experience Hörmann Quality

For all applications in new buildings and modernisation projects

**Hörmann provides an excellent basis for comprehensive planning. Carefully matched solutions offer you perfectly designed products for every area.**

## Garage doors

Optimally matched to your personal architectural style – up-and-over doors made of steel or timber.

## Door operators

Enjoy extra convenience and break-in-resistant security: Hörmann operators for garage doors and entrance gates.

## Entrance doors

You can find door styles to match your expectations and requirements in our comprehensive range of aluminium entrance doors.

## Steel doors

Sturdy doors for your entire home, from basement to roof.

## Frames

Choose from our comprehensive range of products for new construction, expansion and modernisation.

[www.hoermann.com](http://www.hoermann.com)



Garage doors and door operators



Side sliding sectional door



Steel doors